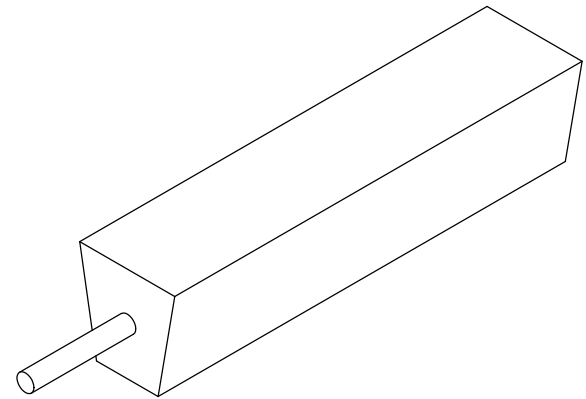
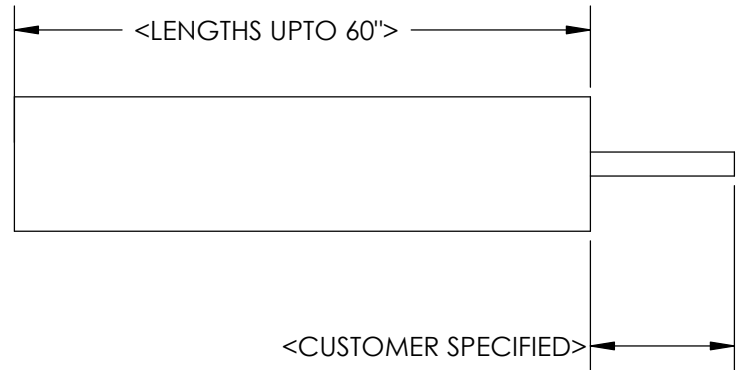


Ø <CUSTOMER SPECIFIED>



ANSUN
1.4" BY 1.4"

DIMENSIONS ARE IN INCHES TOLERANCES: FRACTIONAL ±1/8	SIZE	DWG. NO.	REV.
	A		
			NOMINAL WEIGHT: 1/2 LB PER INCH