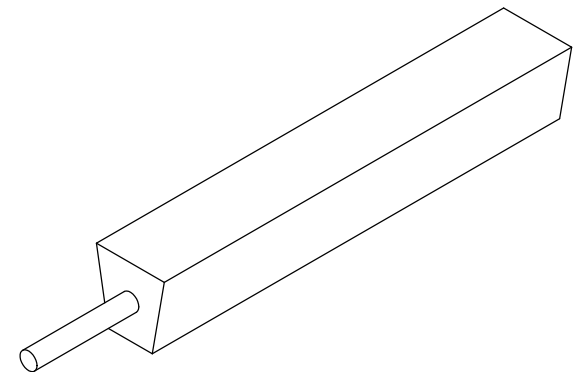


ϕ <CUSTOMER SPECIFIED>

<CUSTOMER SPECIFIED>



ANSUN

1" BY 1"

DIMENSIONS ARE IN INCHES
TOLERANCES:
FRACTIONAL $\pm 1/8$

SIZE
A

DWG. NO.

REV.

SCALE: 1:2

NOMINAL WEIGHT: